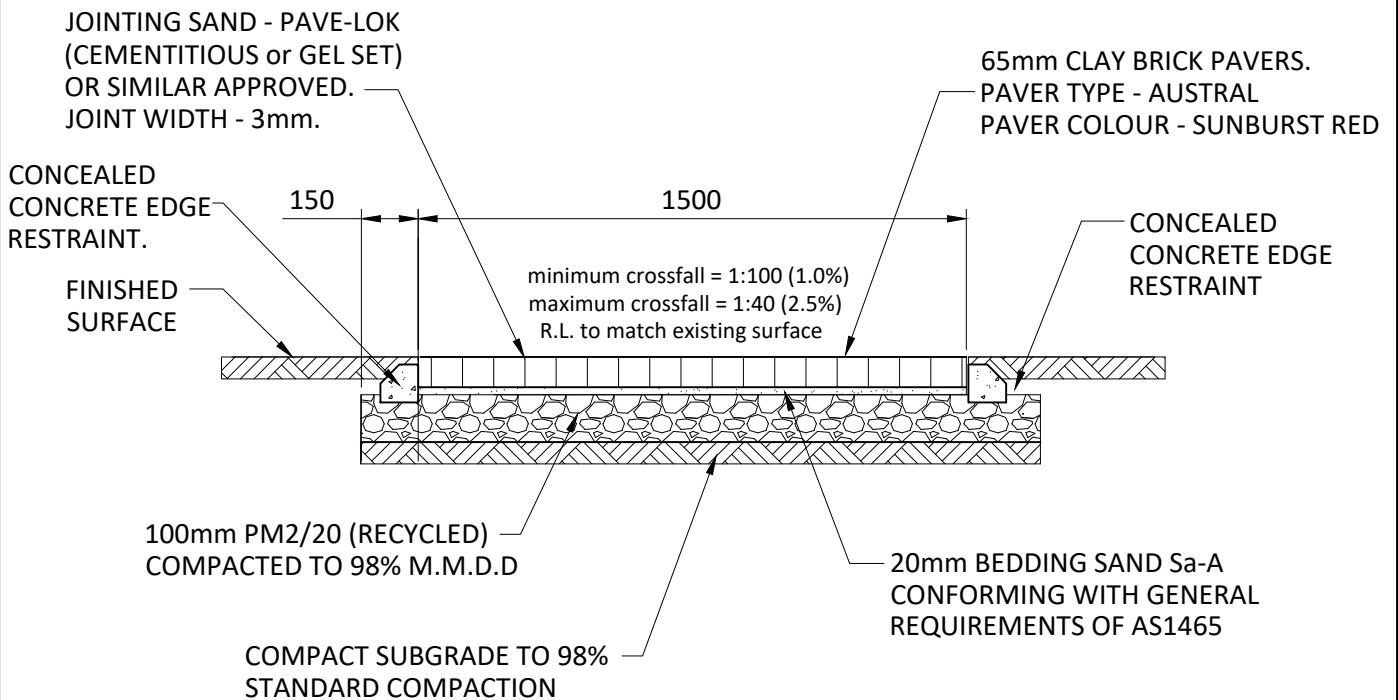


CONCEALED CONCRETE EDGE RESTRAINT

SCALE 1 : 10



FOOTPATH - CLAY BRICK PAVED

SCALE 1 : 20

NOTES:

1. RECYCLED QUARRIED PRODUCTS SHALL BE FREE FROM GLASS AND CERAMIC DEBRIS.
2. MAXIMUM LONGITUDINAL GRADIENT OF FOOTPATH SHALL BE 1:33.



DRAWING FILE LOCATION
T:\AUTOCAD BLOCKS\CURRENT
CCS DETAILS\CAD\FOOTPATH -
CLAY BRICK PAVED (M1573).dwg

COORDINATOR
DESIGN
B. MORIAS
04.04.24

EDITED
G.FERTEKLIS
04.04.24
DRAWN
G.FERTEKLIS
14.12.22
DESIGNED
G.FERTEKLIS
14.12.22

STANDARD DETAILS

FOOTPATH - BRICK PAVED

65mm CLAY BRICK PAVED FOOTPATH
WITH CONCEALED EDGE RESTRAINTS

CITY OF CHARLES STURT

SHEET
1 of **1**

TRIM No.
22/283746

DRAWING No.
M1573 **B**