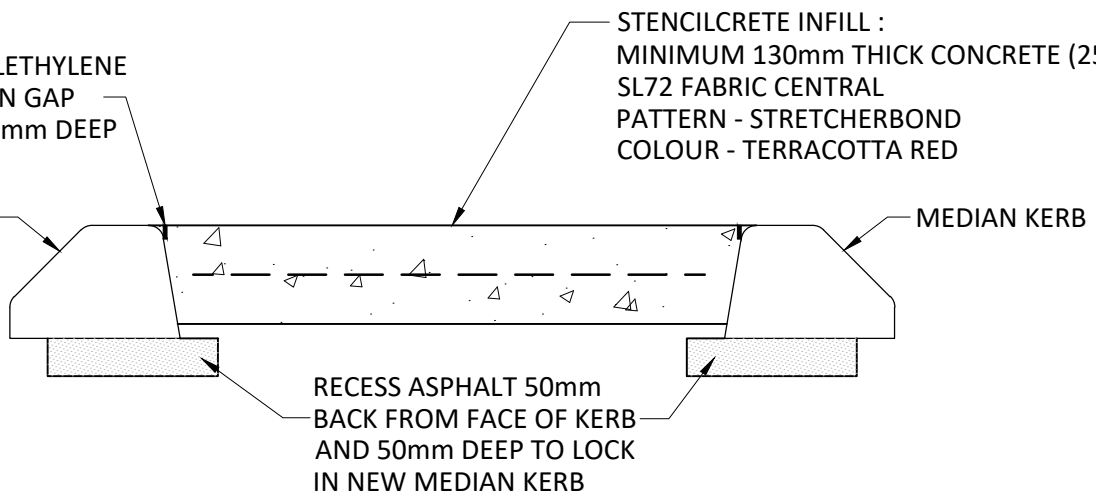


CLOSED CELL POLETHYLENE
FOAM EXPANSION GAP
10mm WIDE x 35mm DEEP

MEDIAN KERB



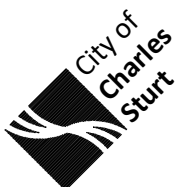
STENCILCRETE INFILL :
MINIMUM 130mm THICK CONCRETE (25 MPa)
SL72 FABRIC CENTRAL
PATTERN - STRETCHERBOND
COLOUR - TERRACOTTA RED

MEDIAN KERB

RECESS ASPHALT 50mm
BACK FROM FACE OF KERB
AND 50mm DEEP TO LOCK
IN NEW MEDIAN KERB

STENCILCRETE INFILL

SCALE 1:10



DRAWING FILE
LOCATION
T:\AUTOCAD BLOCKS\CURRENT
CCS DETAILS\CAD\STENCILCRETE
INFILL (M1516).dwg

COORDINATOR
DESIGN
B. MORIAS
10.01.24

EDITED
G.FERTEKLIS
10.01.24
DRAWN
JCU
23.04.15
DESIGNED
JCU
23.04.15

STANDARD DETAIL

STENCILCRETE INFILL

SCALE AS SHOWN

CITY OF CHARLES STURT

SHEET
1 of 1

TRIM No.
15/116131

DRAWING No.
M1516