

LIGHT FITTING TO COUNCIL DETAIL

LIGHT POLES TO USE 75x75 SHS. BASE PLATE TO LIGHT POLES REQUIRE 6mm FILLET WELD BOTH SIDES OF BASE PLATE TO B1. CONFIRMATION OF LOCATION IS REQUIRED SO AS NOT TO CLASH WITH ROAD BRIDGE BEAMS.

150

48.3 x 3.2 CHS HANDRAIL WITH CLOSED ENDS AND EXPANSION SLIP JOINTS

TAPERED 6mm THICK MILD STEEL FLAT BRACKET WELDED TO POST AND MILD STEEL SHAPED PLATE (FOR HANDRAIL ATTACHMENT)

40x12 MILD STEEL FLAT TOP RAIL TO PANEL, ENDS DRILLED FOR BOLT FIXING TO LUGS (ENDS SHANKED AS NECESSARY TO SUIT GRADIENT)

Ø12 MILD STEEL VERTICAL RODS TO PANEL (100 NOM. CTS)

75x50x6 MILD STEEL RHS POST, TOP CLOSED WITH END PLATE, WITH 40x12x50 LONG MILD STEEL FLAT LUGS WELDED TO POST FOR PANEL CONNECTION (LUGS DRILLED FOR BOLT FIXING OF PANELS).

40x12 MILD STEEL FLAT BOTTOM RAIL TO PANEL, ENDS DRILLED FOR BOLT FIXING TO LUGS (ENDS SHANKED AS NECESSARY TO SUIT GRADIENT)

GROUND LEVEL

100

FOR FIXING TO CONCRETE: 150x150x10 MILD STEEL BASE PLATE WELDED TO POST.
FOR FIXING TO PFC: 190x100x12 MILD STEEL BASE PLATE.

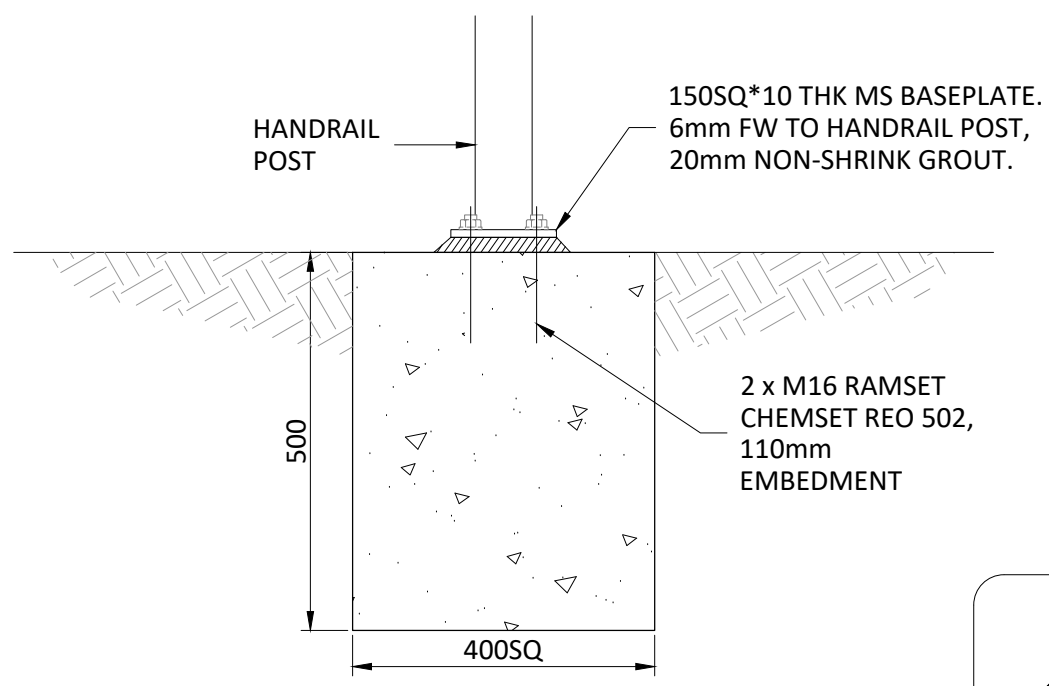
FOR FIXING TO CONCRETE: 2 x M16 RAMSET CHEMSET REO 502, 110mm EMBEDMENT. FOR FIXING TO PFC: 2N M16 8.8/S BOLTS.

400 SQUARE x 500 DEEP CONCRETE FOOTING RECESSED BELOW NEW BITUMEN SURFACE TREATMENT

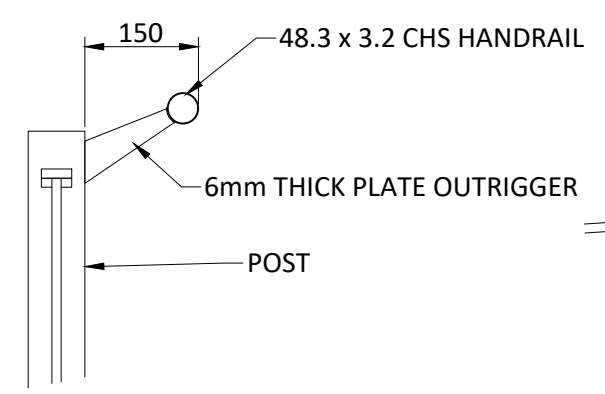
1345

1310

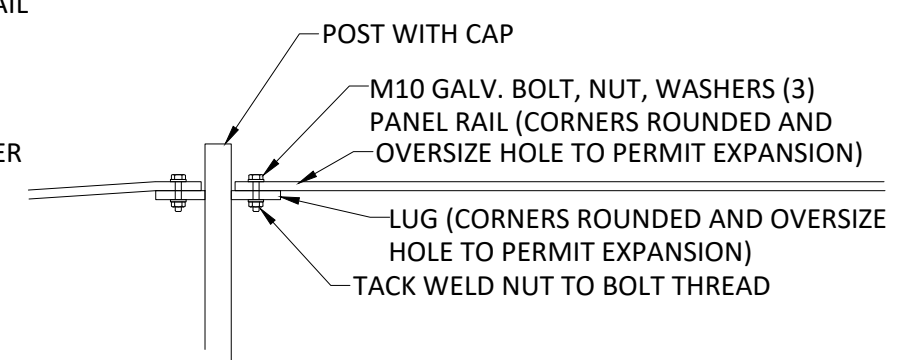
USE SPACER PLATES TO TRANSITION FENCE HEIGHT ONTO ELEVATED STRUCTURE FROM BOTH APPROACHES



CONCRETE FIXING DETAIL
SCALE 1:10



HANDRAIL FIXING DETAIL
SCALE 1:10



PANEL FIXING DETAIL
SCALE 1:10

	DRAWING FILE LOCATION T:\AUTOCAD BLOCKS\2010\SHARED USE PATH AND BALUSTRADE DETAIL (M1512).dwg	EDITED G.FERTEKLIS 05.10.23	<p>STANDARD DETAILS</p> <p>SHARED USE PATH AND BALUSTRADE FENCE DETAIL</p> <p>SCALE AS SHOWN</p>	<p>CITY OF CHARLES STURT</p> <p>SHEET 1 of 1</p> <p>TRIM No. 14/321863</p> <p>DRAWING No. M1512</p>
	COORDINATOR DESIGN B. MORIAS 05.10.23	DRAWN J. CURSARO 07.11.14		
		DESIGNED J. CURSARO 07.11.14		