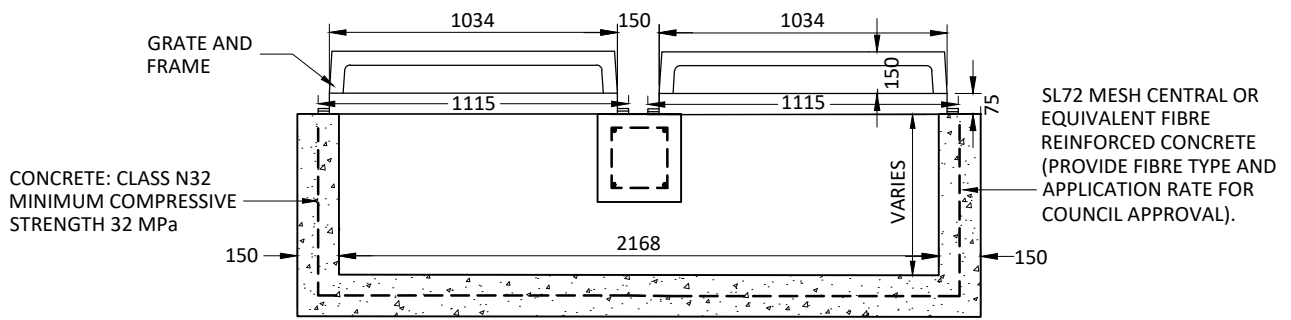
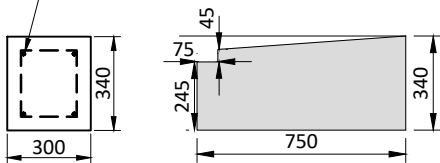


PLAN

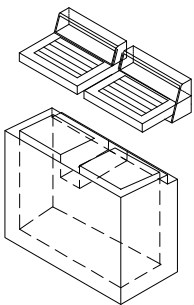


ELEVATION B
SCALE 1:20

4 N12 BARS WITH W6 LIGS AT 150mm CTS

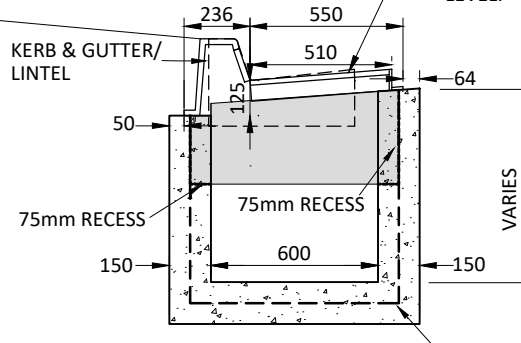


SUPPORT WALL



PICTORIAL VIEW

PROVIDE A GULLY GRATE AND FRAME (1115mm x 790mm), PRODUCT CODE GCA1000NF, SUPPLIED BY CIVILMART. SLOPE TO MATCH EXISTING PAVEMENT LEVEL.



SECTION A
SCALE NTS

DOUBLE GULLY GRATE AND FRAME

NOTES:

- REFER TO CCS STORMWATER PIT INSTALLATION DETAIL (M1591) FOR MINIMUM EXCAVATION BEDDING AND BACKFILL REQUIREMENTS.
- FIBRE REINFORCED CONCRETE PITS SHALL BE USED FOR PROJECTS WITHIN 2KM OF COASTLINE.



DRAWING FILE LOCATION
T:\AUTOCAD BLOCKS\2010-GULLY GRATE AND FRAME DOUBLE (M1547).dwg

COORDINATOR DESIGN
B. MORIAS
30.10.23

EDITED
G.FERTEKLIS
30.10.23
DRAWN
J. CURSARO
08.10.19
DESIGNED
J. CURSARO
08.10.19

STANDARD DETAILS DOUBLE GULLY GRATE AND FRAME

SCALE AS SHOWN

CITY OF CHARLES STURT

SHEET

1 of 1

TRIM No.
19/281262

DRAWING No.
M1547