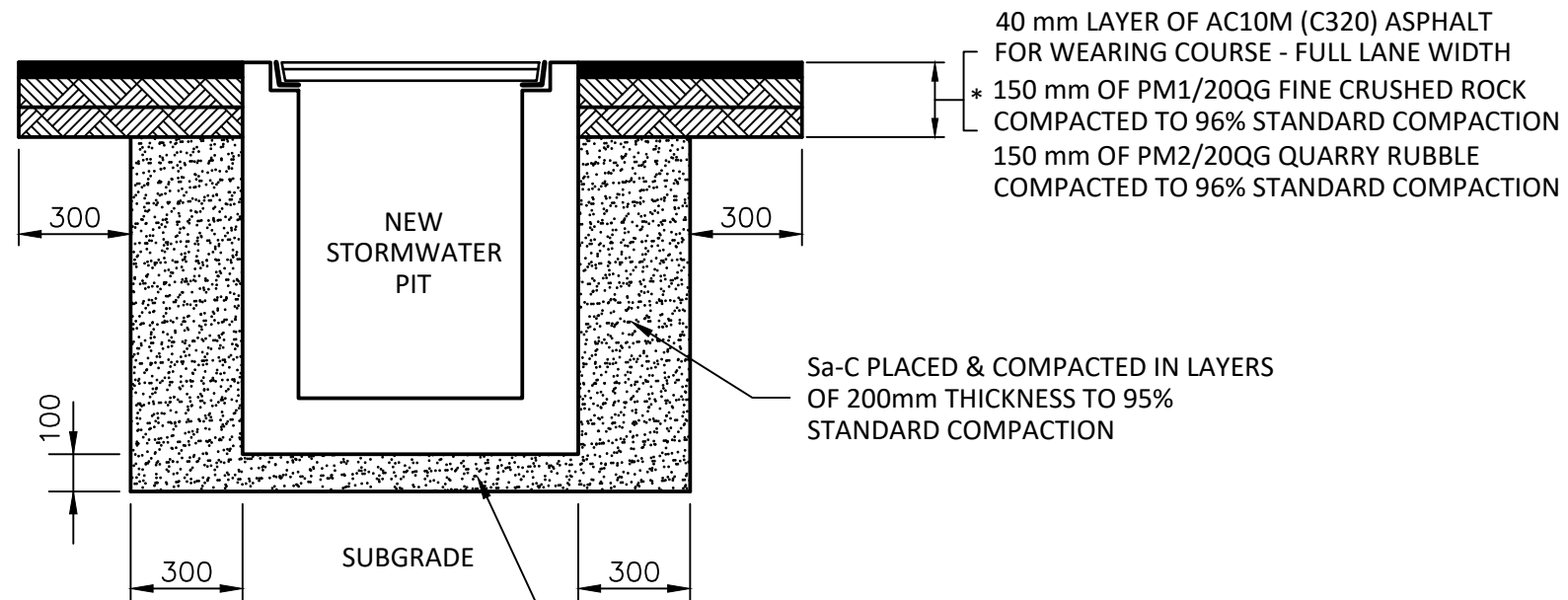


PLAN

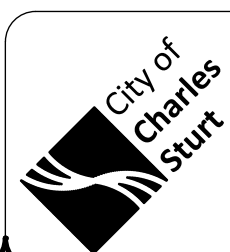


SECTION

*NOTE:
PAVEMENT REINSTATEMENT AS PER ABOVE DETAIL
OR MATCH EXISTING, WHICHEVER IS THE GREATER.

STORMWATER PIT INSTALLATION

SCALE 1:20



DRAWING FILE
LOCATION
T:\AUTOCAD BLOCKS\2010+STORMWATER PIT
INSTALLATION (M1591).dwg

COORDINATOR
ENGINEERING DESIGN
B.MORIAS
19.07.23

EDITED
G.FERTEKLIS
19.07.23

DRAWN
G.FERTEKLIS
06.07.23

DESIGNED
G.FERTEKLIS
06.07.23

STANDARD DETAILS

STORMWATER PIT INSTALLATION

SCALE AS SHOWN

CITY OF CHARLES STURT

SHEET
1 of **1**

TRIM No.
23/162618

DRAWING No.
M1591