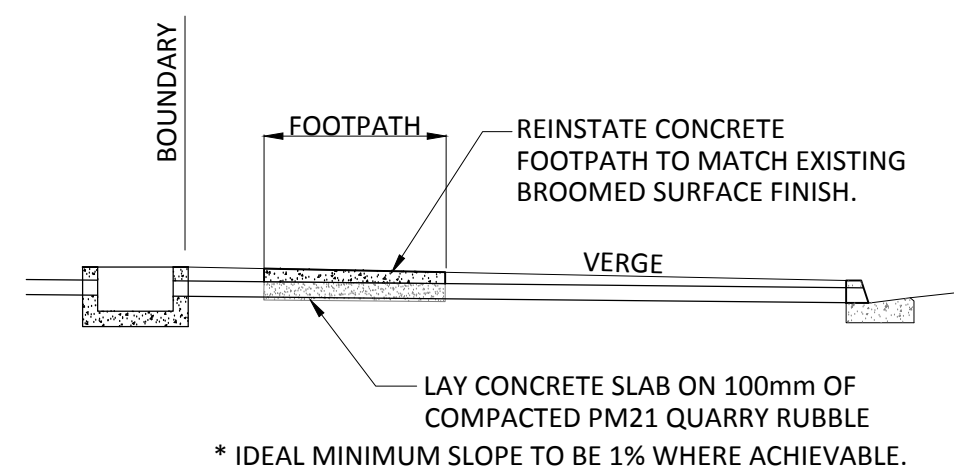
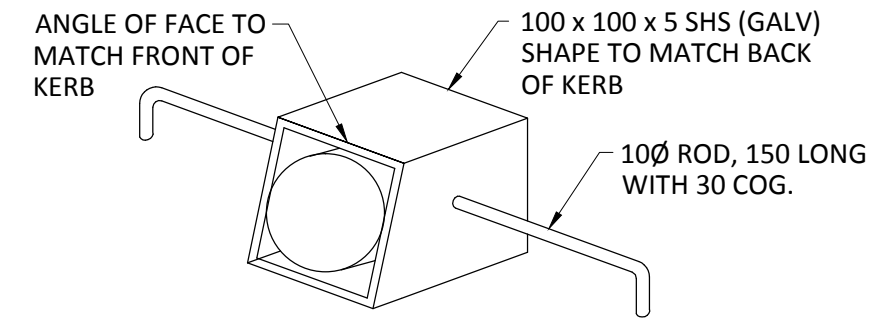


PLAN
NOT TO SCALE



SECTION
NOT TO SCALE



**DRAINAGE OUTLET KERB INSERT
(UPRIGHT KERB)**
SCALE 1:5

- TYPES OF DRAINS PERMITTED:**
- A) P.V.C. SEWER GRADE PIPE
 - B) P.V.C. PRESSURE GRADE PIPE CLASS 12 OR HEAVIER
 - C) STEEL PIPE - MINIMUM WALL THICKNESS 4mm
- TYPES OF DRAINS NOT PERMITTED:**
- 1) ASBESTOS CEMENT
 - 2) STORMWATER PVC GRADE

PLEASE NOTE:
THE ONUS IS ON THE OWNER OR HIS REPRESENTATIVE TO LOCATE PUBLIC UTILITY SERVICES ON THE FOOTPATH PRIOR TO THE COMMENCEMENT OF WORK. ANY COSTS INCURRED IN REPAIRING DAMAGES TO SERVICES WILL BE AT THE EXPENSE OF THE PERSON CAUSING THE DAMAGE.

	DRAWING FILE LOCATION T:\AUTOCAD BLOCKS\2010\1\STORMWATER DRAINAGE CONNECTION.dwg	EDITED J. CURSARO 23.07.14 DRAWN J. CURSARO 23.07.14 DESIGNED B. MORIAS 19.09.06	STANDARD DETAIL STORMWATER DRAINAGE CONNECTION SCALE AS SHOWN	CITY OF CHARLES STURT SHEET 1 of 1 TRIM No. 05/31536 DRAWING No. M.186
	COORDINATOR DESIGN B. MORIAS 23.07.14			